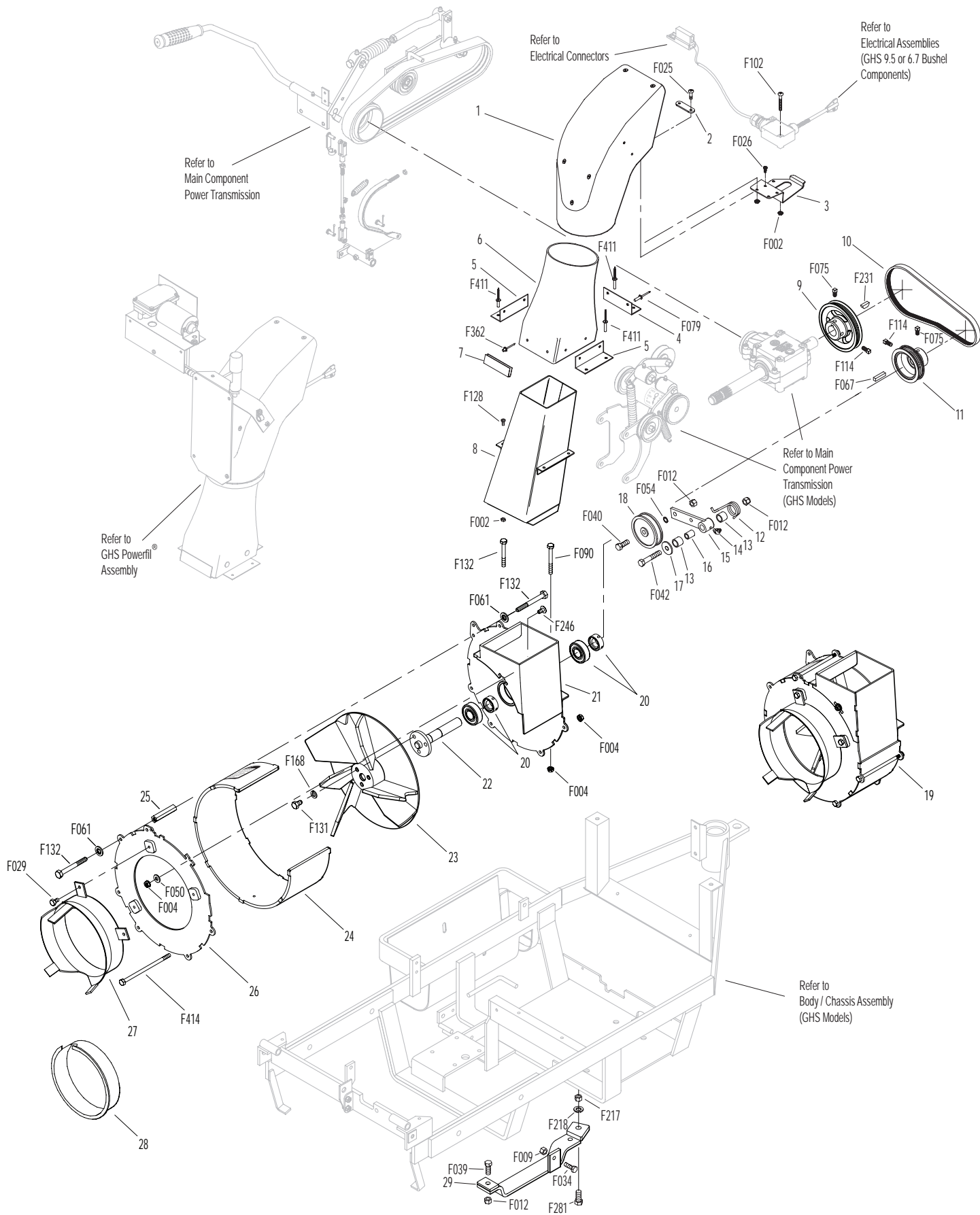


GHS GROUP



Effective Date 09-01-06

Use only genuine Walker® replacement parts.